

ARL-5060WYC3 WarmWhite (H238)

Features

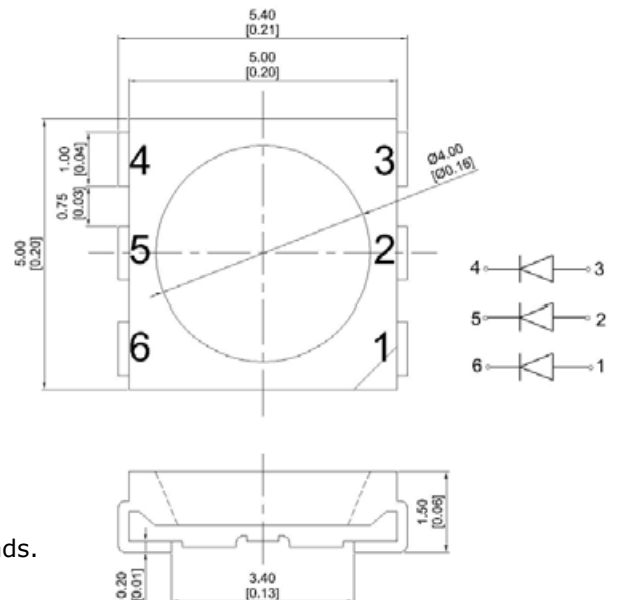
- Chips can be controlled separately.
- Suitable for all smt assembly and Solder process.
- Available on tape and reel.
- Package: 1000pcs / reel.



Package Dimensions

Description

- The White source color devices are made with Gallium Arsenide Phosphide on Gallium Phosphide White Light Emitting Diode.
- It is recommended to use a wrist band or anti-electrostatic glove when handling the LEDs.
- All devices, equipment and machinery must be electrically grounded.



Notes:

1. All dimension units are millimeters.
2. All dimension tolerance is ± 0.2 mm unless otherwise noted.
3. An epoxy meniscus may extend about 1.5mm down the leads.

Part No.	Dice	Lens Type	Iv (mcd) @ 60mA		Viewing Angle
			Min.	Typ.	2 θ 1/2
ARL-5060WYC3 WarmWhite (H238)	WHITE (InGaN)	Yellow Diffused	2900	4100	120°

Note:

1. θ 1/2 is the angle from optical centerline where the luminous intensity is 1/2 the optical centerline value.

Electrical / Optical Characteristics at TA=25°C

Symbol	Parameter	Device	Min.	Typ.	Units	Test Conditions
VF	Forward Voltage	White	3.0	3.2	V	IF=60mA
IR	Reverse Current	White		5	uA	VR = 5V
X	Chromaticity Coordinates	White		0.43		
Y				0.42		
C	Capacitance	White		100	pF	VF=0V;f=1MHz

Absolute Maximum Rating

Parameter	White	Units
Power dissipation	315	mW
DC Forward Current	90	mA
Peak Forward Current [1]	300	mA
Reverse Voltage	5	V
Operating/Storage Temperature	-40°C To +85°C	

Note:

1. 1/10 Duty Cycle, 0.1ms Pulse Width.

Reliability Test Items And Conditions

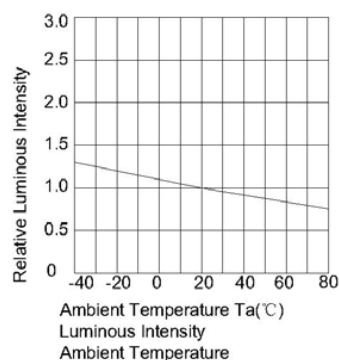
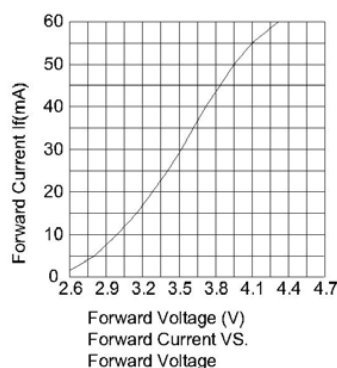
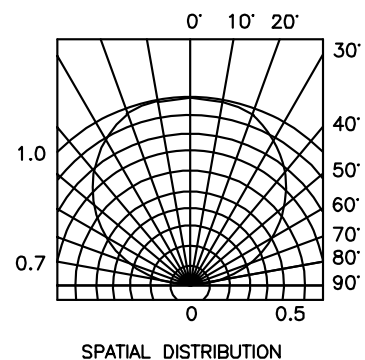
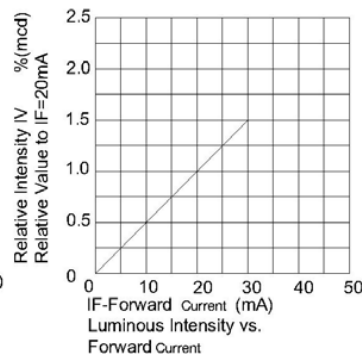
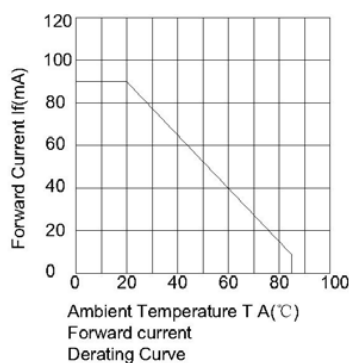
The reliability of products shall be satisfied with items listed below.

Confidence level :90% LTPD :10%

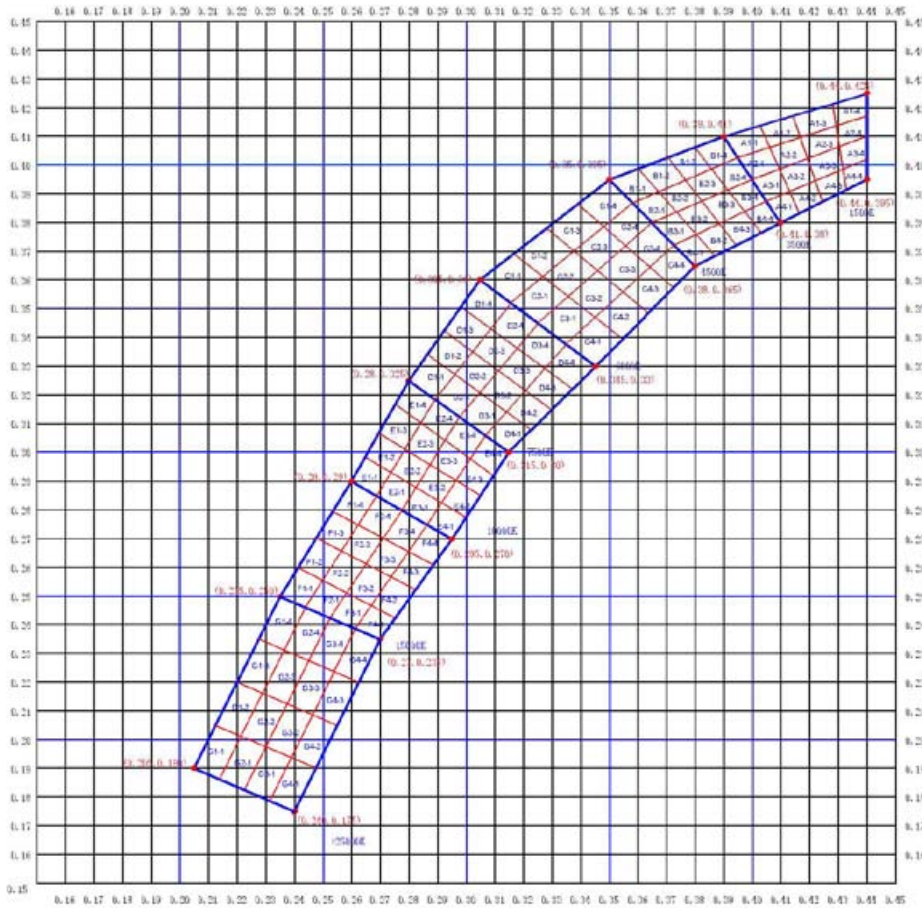
No.	Items	Test Condition	Test Hours/ Cycles	Sample Size	Ac/Rc
1	Reflow	Temp:260°C ±5°C Min.5 sec.	6 Min.	22Pcs.	0/1
2	Temperature Cycle	H:+100°C 15 min. ~ 5 min L:-40°C 15 min.	300 Cycles	22Pcs.	0/1
3	Thermal Shock	H:+100°C 5 min. ~ 10 sec. L:-10°C 5 min.	300 Cycles	22Pcs.	0/1
4	High Temperature Storage	Temp.:100°C	1000Hrs.	22Pcs.	0/1
5	Low Temperature Storage	Temp.: -40°C	1000Hrs.	22Pcs.	0/1
6	DC Operating Life	IF=60mA	1000Hrs.	22Pcs.	0/1
7	High Temperature/ High Humidity	85°C/85%RH	1000Hrs.	22Pcs.	0/1

This products is made of soft silicon which can not endure pressure or it will be damaged.

*The technical information shown in the data sheets are limited to the typical characteristics and circuit examples of the referenced products. It does not constitute the warranting of industrial property nor the granting of any license.



CIE CHROMATICITY DIAGRAM

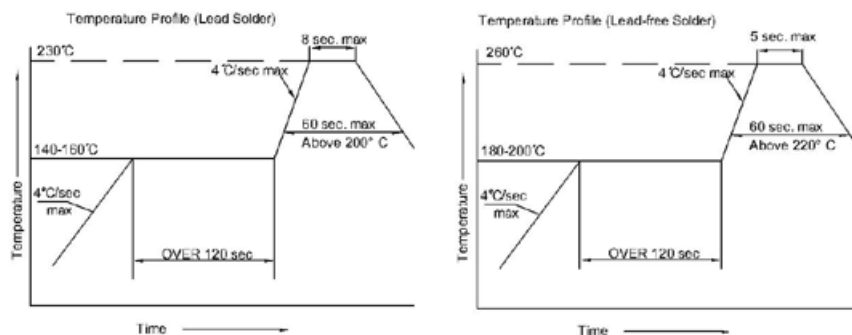


Tape Specifications (Units:mm)

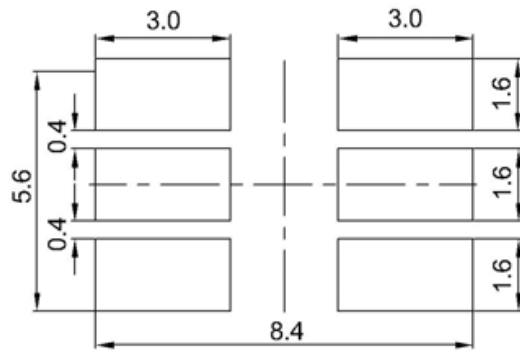
G X:0.24 Y:0.22	X	0.205	0.235	0.270	0.240	C X:0.35 Y:0.36	X	0.305	0.350	0.380	0.345
	Y	0.190	0.250	0.235	0.175		Y	0.360	0.395	0.365	0.330
F X:0.265 Y:0.26	X	0.235	0.260	0.295	0.270	B X:0.38 Y:0.38	X	0.350	0.390	0.410	0.380
	Y	0.250	0.290	0.270	0.235		Y	0.395	0.410	0.380	0.365
E X:0.285 Y:0.30	X	0.260	0.280	0.315	0.295	A X:0.41 Y:0.40	X	0.390	0.440	0.440	0.410
	Y	0.290	0.325	0.300	0.270		Y	0.410	0.425	0.395	0.380
D X:0.31 Y:0.33	X	0.280	0.305	0.345	0.315	Tolerance for each Bin limit is ± 0.15 .					
	Y	0.325	0.360	0.330	0.300						

SMT Reflow Soldering Instructions

Number of reflow process shall be less than 2 times and cooling process to normal temperature is required between first and second soldering process.



Recommended Soldering Pattern



Tape Specifications

